
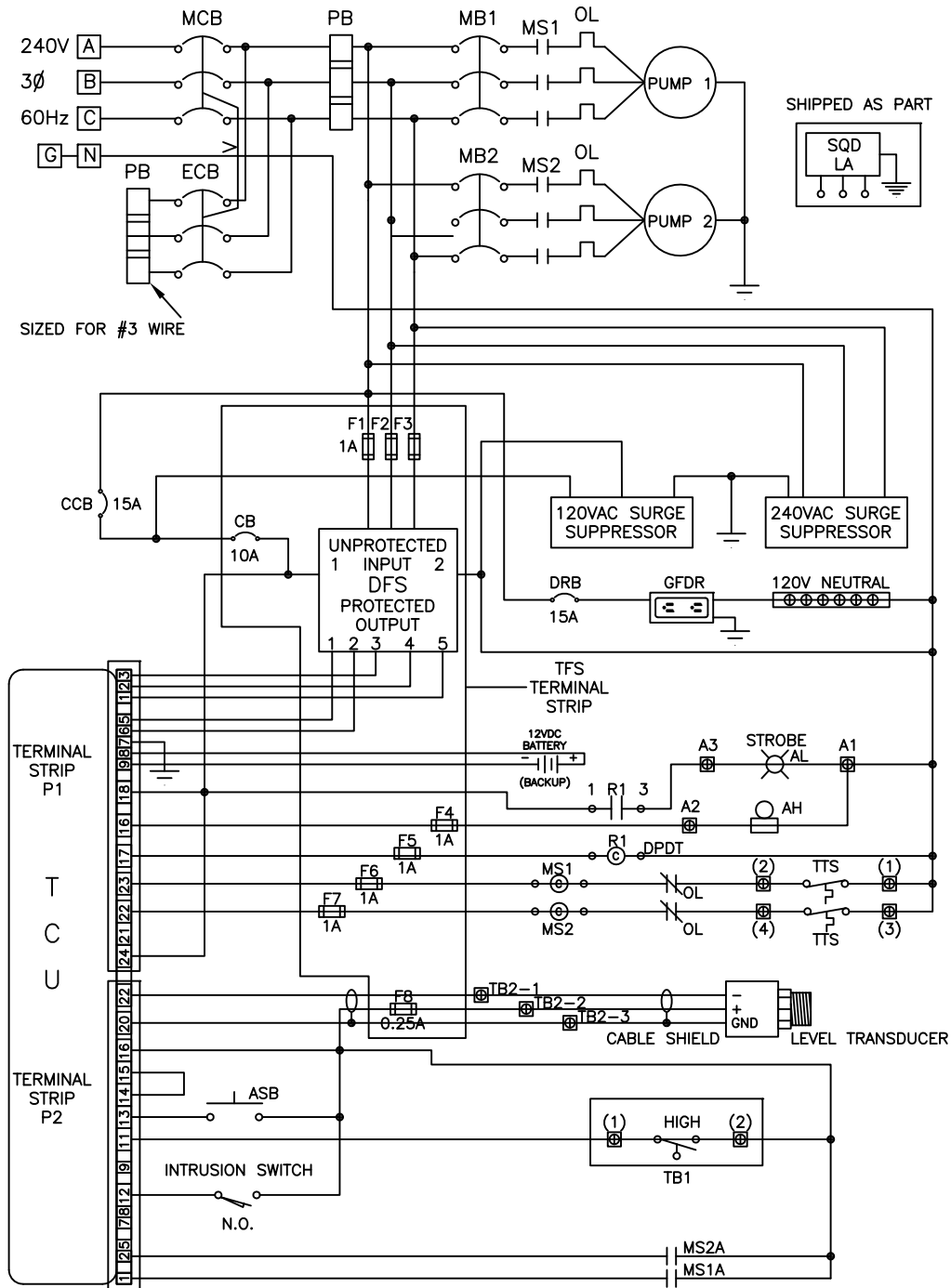


OUTER DOOR REMOVED TO SHOW DEADFRONT LAYOUT  
 NEMA TYPE 3R 304 SS ENCLOSURE WITH CONT. HINGE  
 ALL HARDWARE STAINLESS STEEL  
 TYPICAL, ACTUAL LAYOUT MAY VARY LAYOUT  
 3 PT. LATCH (NOT SHOWN)  
 OUTER BOX SHALL BE A MINIMUM OR 24" W X 36" H X 10" D

UL 508A LISTED PANEL

\* NOT REQUIRED ON 480 PANEL

LAST REVISION	FEB. 2019	<b>DUPLEX CONTROL PANEL</b> <b>ENCLOSURE LAYOUT</b> <b>240V/480V- 3 PH</b>	 <b>ENGLEWOOD WATER DISTRICT</b> 201 SELMA AVENUE ENGLEWOOD, FLORIDA 34223
CHECKED	MM		
APPROVED	KRL		

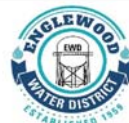


**LEGEND**

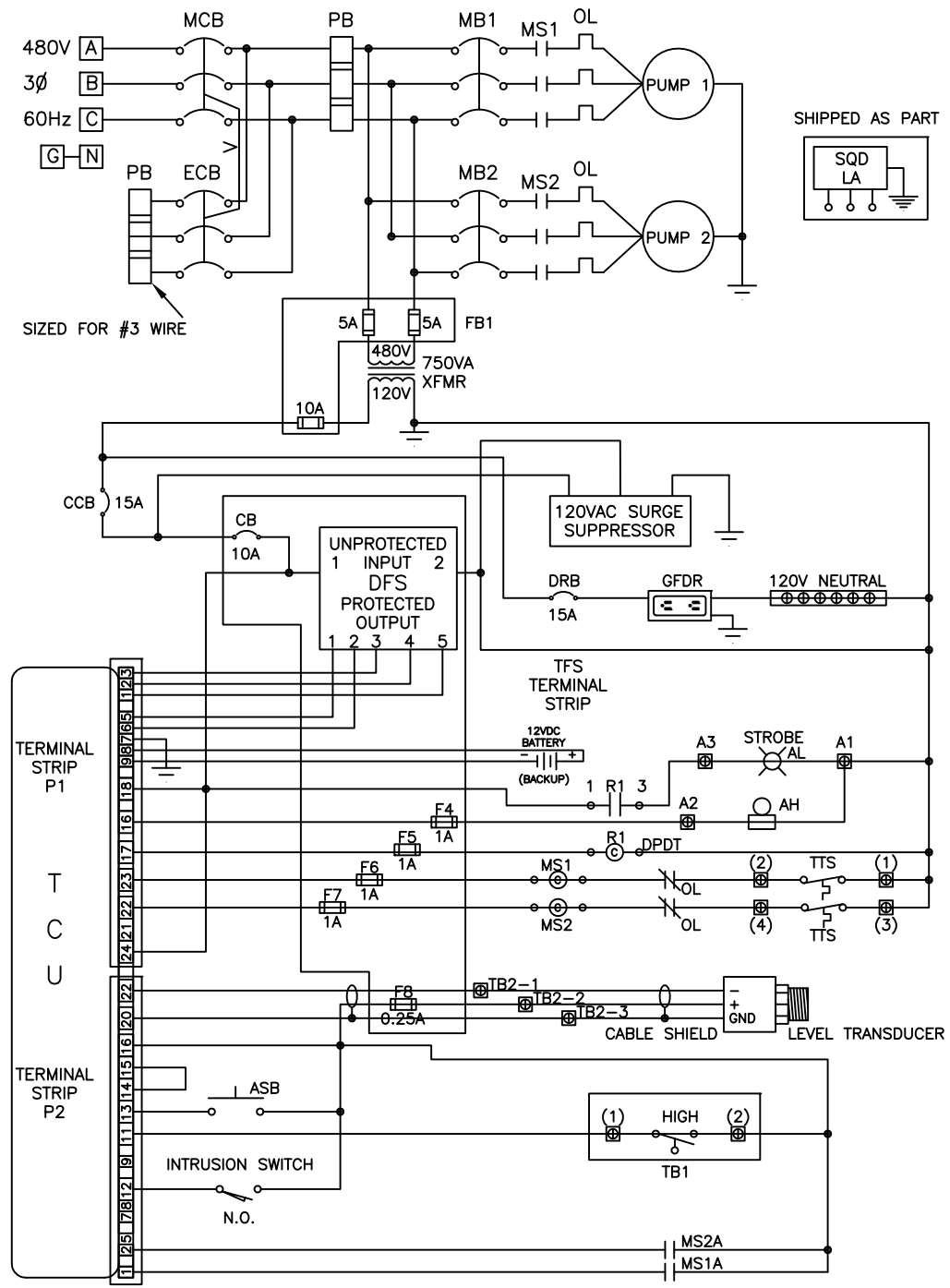
- |                                       |                               |
|---------------------------------------|-------------------------------|
| AB - ALARM BELL                       | GR - GENERATOR RECEPTACLE     |
| AL - ALARM LIGHT                      | LA - LIGHTNING ARRESTOR       |
| ASB - ALARM SILENCE BUTTON            | MB - MOTOR BREAKER            |
| CB - CIRCUIT BREAKER                  | MCB - MAIN CIRCUIT BREAKER    |
| CCB - CONTROL CIRCUIT BREAKER         | MS - MOTOR STARTER            |
| DFS - DATA FLOW SYSTEMS               | OL - OVERLOAD                 |
| DPDT - DOUBLE POLE DOUBLE THROW       | PB - POWER BLOCK              |
| DRB - DUPLEX RECEPTACLE BREAKER       | PCU - PUMP CONTROL UNIT       |
| ECB - EMERGENCY CIRCUIT BREAKER       | R - RELAY                     |
| F - FUSE                              | TB - TERMINAL BLOCK           |
| FL - FLASHER                          | TFS - TRANSIENT FILTER SHIELD |
| GFDR - GROUND FAULT DUPLEX RECEPTACLE | TTS - THERMAL TERMINAL STRIP  |

LAST REVISION	FEB. 2019
CHECKED	MM
APPROVED	KRL

**DUPLEX CONTROL PANEL**  
**ENCLOSURE LAYOUT**  
**240V- 3 PH**



**ENGLEWOOD WATER DISTRICT**  
 201 SELMA AVENUE  
 ENGLEWOOD, FLORIDA 34223

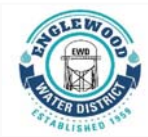


**LEGEND**

- |      |                                  |     |                           |
|------|----------------------------------|-----|---------------------------|
| AB   | - ALARM BELL                     | GR  | - GENERATOR RECEPTACLE    |
| AL   | - ALARM LIGHT                    | LA  | - LIGHTNING ARRESTOR      |
| ASB  | - ALARM SILENCE BUTTON           | MB  | - MOTOR BREAKER           |
| CB   | - CIRCUIT BREAKER                | MCB | - MAIN CIRCUIT BREAKER    |
| CCB  | - CONTROL CIRCUIT BREAKER        | MS  | - MOTOR STARTER           |
| DFS  | - DATA FLOW SYSTEMS              | OL  | - OVERLOAD                |
| DPDT | - DOUBLE POLE DOUBLE THROW       | PB  | - POWER BLOCK             |
| DRB  | - DUPLEX RECEPTACLE BREAKER      | PCU | - PUMP CONTROL UNIT       |
| ECB  | - EMERGENCY CIRCUIT BREAKER      | R   | - RELAY                   |
| F    | - FUSE                           | TB  | - TERMINAL BLOCK          |
| FL   | - FLASHER                        | TFS | - TRANSIENT FILTER SHIELD |
| GFDR | - GROUND FAULT DUPLEX RECEPTACLE | TTS | - THERMAL TERMINAL STRIP  |

LAST REVISION	FEB. 2019
CHECKED	MM
APPROVED	KRL

**DUPLEX CONTROL PANEL**  
**ENCLOSURE LAYOUT**  
**480V- 3 PH**



**ENGLEWOOD WATER DISTRICT**  
**201 SELMA AVENUE**  
**ENGLEWOOD, FLORIDA 34223**